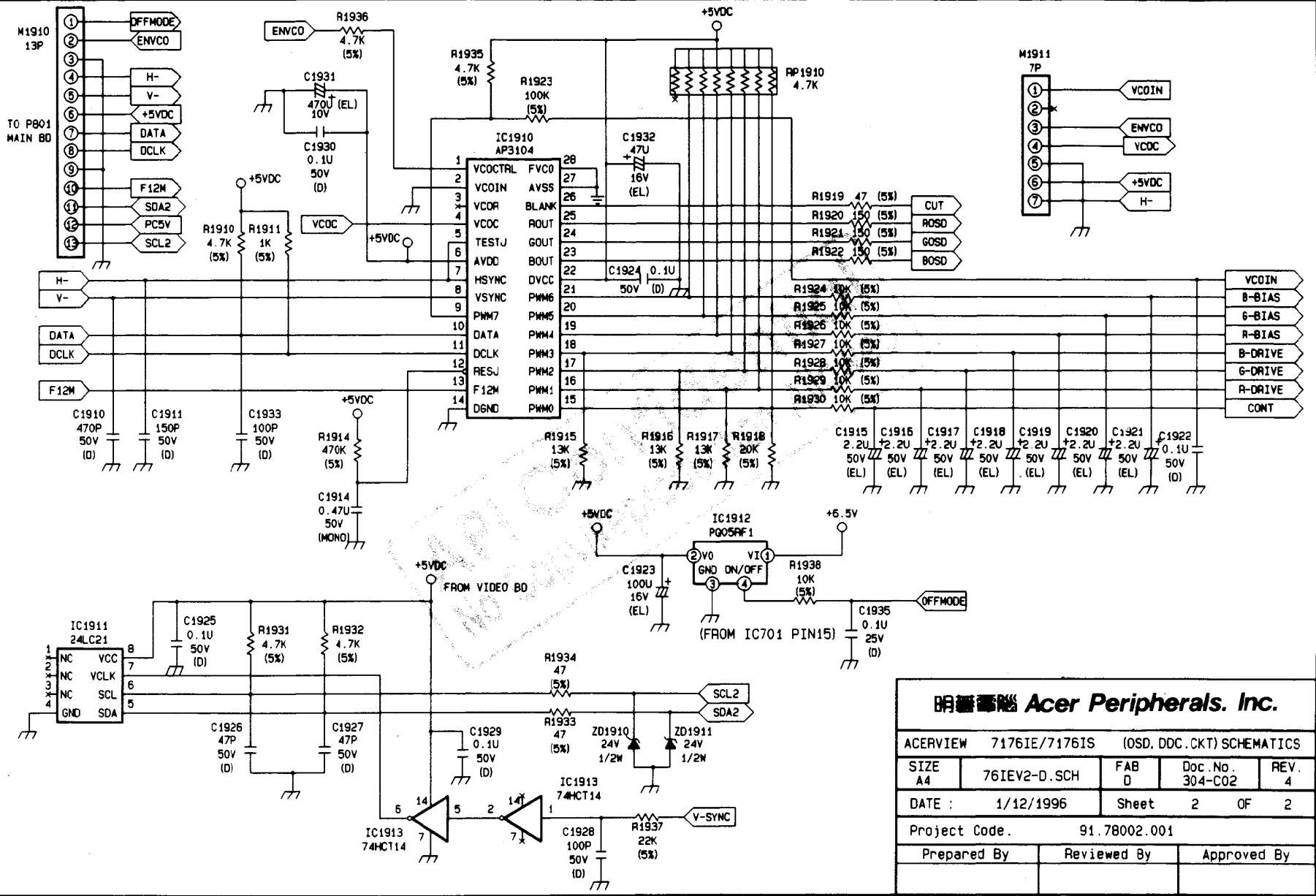


API Confidential
No Copy/Reproduction Allowed

明華電腦 Acer Peripherals. Inc.

ACERVIEW 7176IE/7178IE (CTRL.CKT) SCHEMATIC

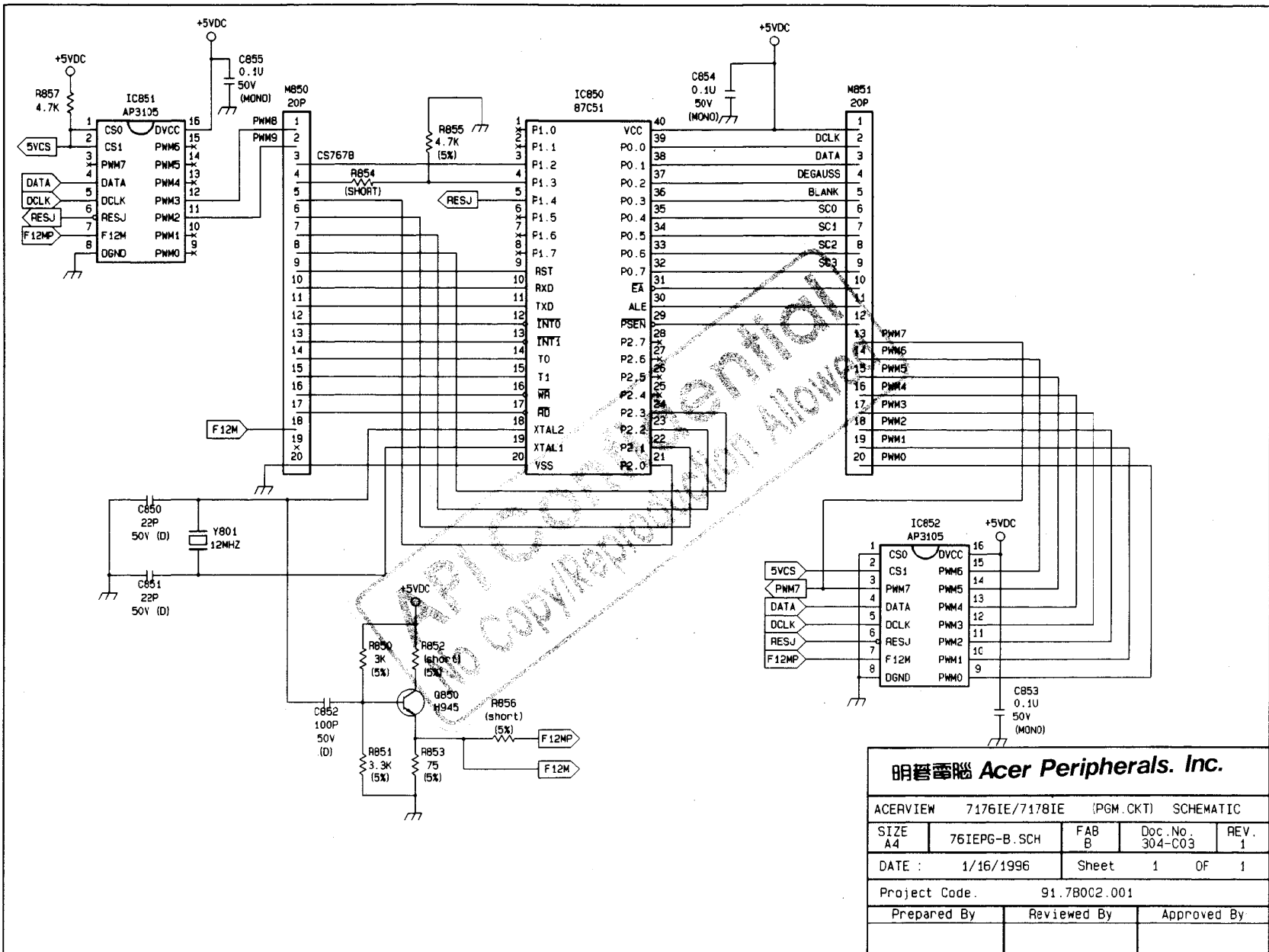
SIZE A4	76IECTS2.SCH	FAB S2	304-C04	REV. 0
DATE :	5/22/1995	SHEET	1	OF 1



明基電腦 Acer Peripherals, Inc.

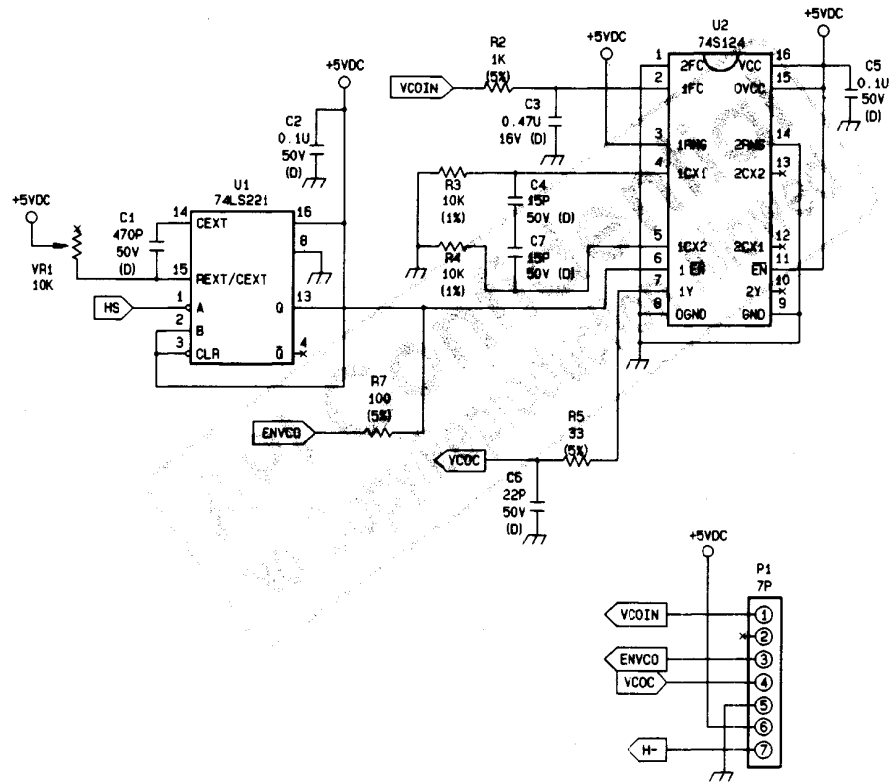
ACERVIEW 7176IE/7176IS (OSD, DDC, CKT) SCHEMATICS

SIZE A4	76IEV2-D.SCH	FAB D	Doc. No. 304-C02	REV. 4
DATE : 1/12/1996		Sheet 2 OF 2		
Project Code.		91.78002.001		
Prepared By	Reviewed By	Approved By		



明晉電腦 Acer Peripherals. Inc.

ACERVIEW 7176IE/7178IE (PGM.CKT) SCHEMATIC				
SIZE A4	76IEPG-B.SCH	FAB B	Doc.No. 304-C03	REV. 1
DATE : 1/16/1996		Sheet 1 OF 1		
Project Code. 91.7B002.001				
Prepared By		Reviewed By		Approved By

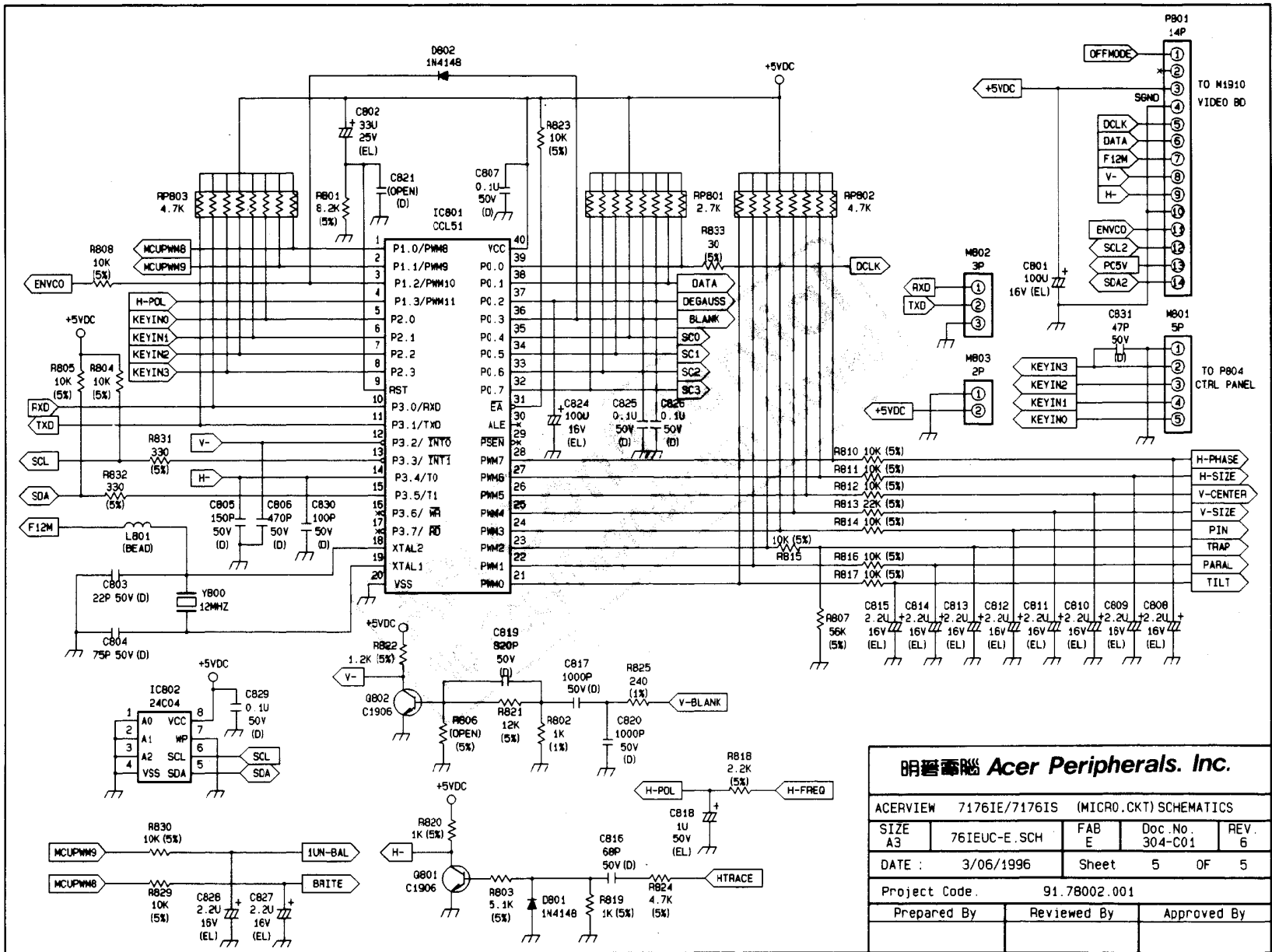


明碁電腦 Acer Peripherals, Inc.

ACERVIEW 7176IE/76IS/56IS/56I/78IE (VCO.BD) SCHEMATIC

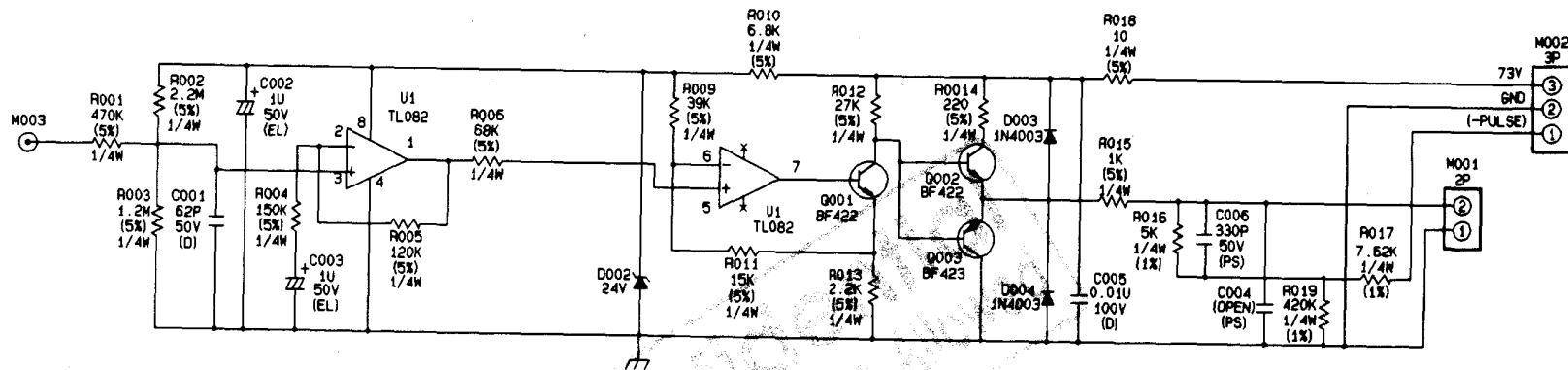
SIZE A4	76IEVCO.SCH	FAB B	304-C05	REV. 1
------------	-------------	----------	---------	-----------

DATE :	11/16/1995	SHEET	1 OF	1
--------	------------	-------	------	---



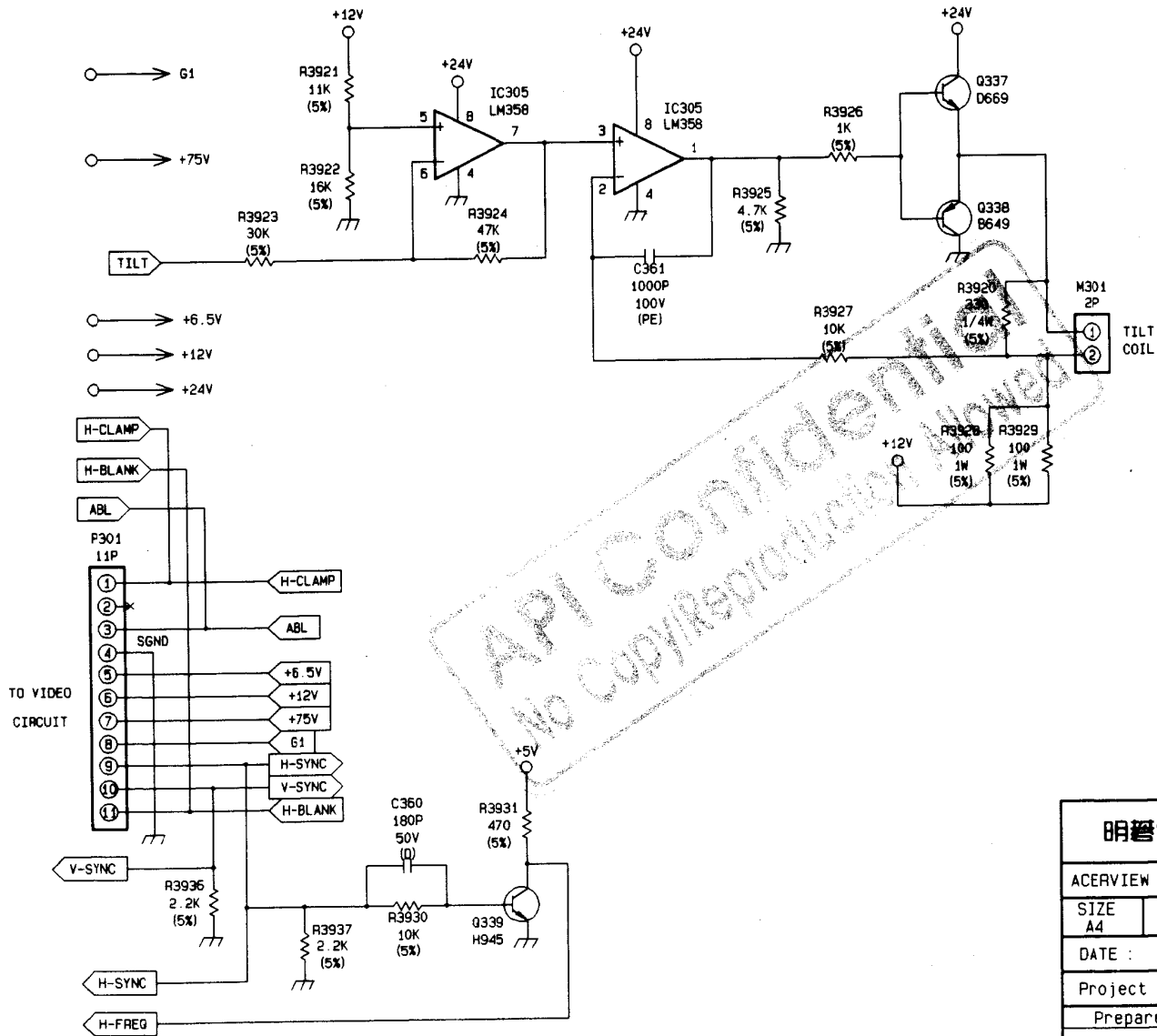
明碁電腦 Acer Peripherals. Inc.

ACERVIEW 7176IE/7176IS (MICRO.CKT) SCHEMATICS			
SIZE A3	76IEUC-E.SCH	FAB E	Doc. No. 304-C01
DATE : 3/06/1996	Sheet 5	OF 5	REV. 6
Project Code.		91.78002.001	
Prepared By	Reviewed By	Approved By	



ALL INFORMATION CONTAINED
 HEREIN IS UNCLASSIFIED

明碁電腦 Acer Peripherals, Inc.				
ACERVIEW 7176IE (TCO.CKT) SCHEMATIC				
SIZE A4	76JETCO.SCH	FAB S1	304-C06	REV. 0
DATE:	1/04/1996	SHEET	1	OF 1



明碁電腦 **Acer Peripherals. Inc.**

ACERVIEW 7176IE/7176IS (MAIN.CKT) SCHEMATICS				
SIZE A4	76IEM3-E.SCH	FAB E	Doc.No. 304-C01	REV. 6
DATE : 3/07/1996		Sheet 3	OF 5	
Project Code.		91.78002.001		
Prepared By		Reviewed By		Approved By